

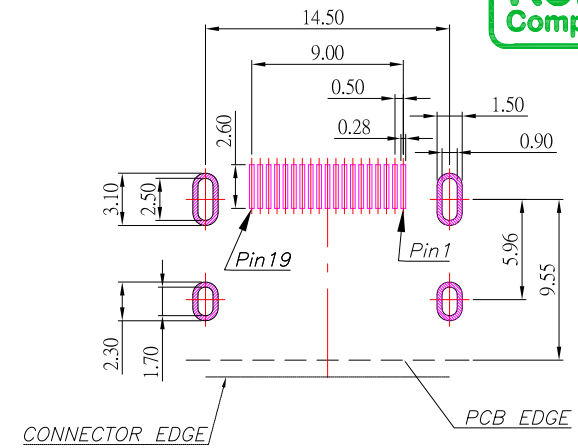
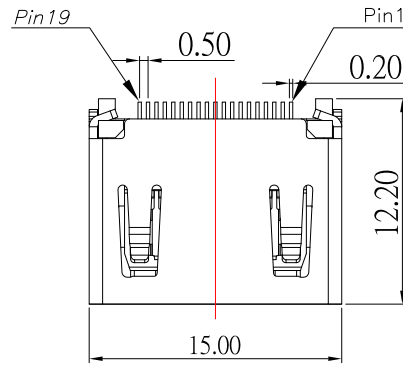


# HD2-19P-SND1xx-S297

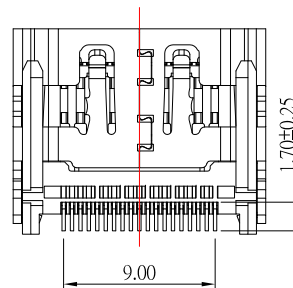
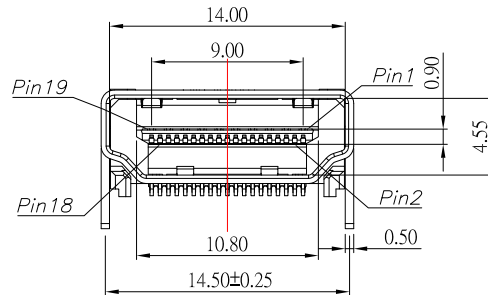
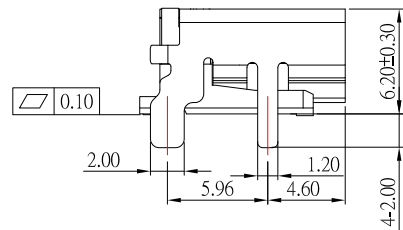
外殼電鍍材質： 端子接觸區厚度：

Blank : Nickel  
G : Gold

Blank : 1u"  
2 : 15u"  
3 : 30u"



RECOMMENDED P.C.B. LAYOUT  
TOP VIEW



NOTE:

1.MATERIAL:

- 1.1 HOUSING: LCP, BLACK
- 1.2 CONTACT: BRASS
- 1.3 SHEEL: BRASS

2.PLATING :

- 2.1 CONTACT: PLATED GOLD IN MATING AREA ;  
TIN PLATED ON SOLDER BALLS ;  
NICKEL UNDER PLATED OVERALL
- 2.2 SHELL: NICKELOR GOLD UNDER PLATED SURFACE LAYER

3.MECHANICAL:

- 3.1 INSERTION FORCE: 4.5 Kgf MAX
- 3.2 WITHDRAWAL FORCE: 1.0 ~ 4.0 Kgf
- 3.3 LIFE: 10000 Cycles

4.ELECTRICAL:

- 4.1 RATING: 40V,0.5A
- 4.2 CONTACT RESISTANCE: 30 mΩ Max
- 4.3 INSULATION RESISTANCE: 100MΩ Min
- 4.4 DIELECTRIC WITHSTANDING VOLTAGE: 500V AC / minute
- 4.5 OPERATING TEMPERATURE: -25°C~ 85°C

HDMI PIN ASSIGNMENT			
PIN	SIGNAL TYPE	11	TMDS Clock Shield
1	TMDS Data2+	12	TMDS Clock-
2	TMDS Data2 Shield	13	CEC
3	TMDS Data2-	14	Utility
4	TMDS Data1+	15	SCL
5	TMDS Data1 Shield	16	SDA
6	TMDS Data1-	17	DDC/CEC Ground
7	TMDS Data0+	18	+5V Power
8	TMDS Data0 Shield	19	Hot Plug Detect
9	TMDS Data0-		
10	TMDS Clock+		

**CONTACT** 建倚科技股份有限公司  
CONTACT TECHNOLOGY CORP.

TOLERANCE UNLESS OTHERWISE STATED :  
Up to 5 ±0.2  
Above 5 ~ 15 ±0.3  
Above 15 ~ 30 ±0.4  
Above 30 ~ 50 ±0.5  
Angle ±0.3°

3RD. ANGEL'S

UNITS MM

DRAWN BY:	DATE	MAT'L	TITLE	CONNECTOR
Jack Lu	05/11/23			
CHECKED BY:	DATE	FINISH	MODLE	HDMI2.1 無耳無柱 四直腳腳長2.0
Jacky Chen	05/11/23			
APPROVED BY:	DATE	SCALE	DWG NO.	HD2-19P-SND1xx-S297
Tony Kao	05/11/23	1 : 1	PART NO.	HD2-19P-SND1xx-S297
		SHEET NO.	1 of 1	
			SIZE	A4
			VER	R2